

# 110-400 RB

Ribbed Side Wall  
Matte Top  
Continuous Thread  
110 mm Diameter  
400 Thread Profile  
Lined or Unlined



## OPTIONS

- Available in standard or custom colors
- Low minimum order quantities, safety stock program available
- High speed lining capabilities with a variety of lining materials including heat induction, foam and pressure sensitive
- Round or tri-tab easy-open liners
- Industry's best lead times

## SHIPPING INFORMATION

- Carton quantity: 390
- Carton packing: Stacked
- Pallet quantity: 11,700
- Truckload quantity: 351,000
- Carton weight (lbs): 22
- Pallet weight (lbs): 680
- Carton size: 24x16x14"
- Pallet size: 40x48x91"
- Freight class: 125

## STANDARD OR CUSTOM COLORS



PMS 185



PMS 3435



PMS 662C



PMS 2685



PMS 1665



PMS 10388



BLACK

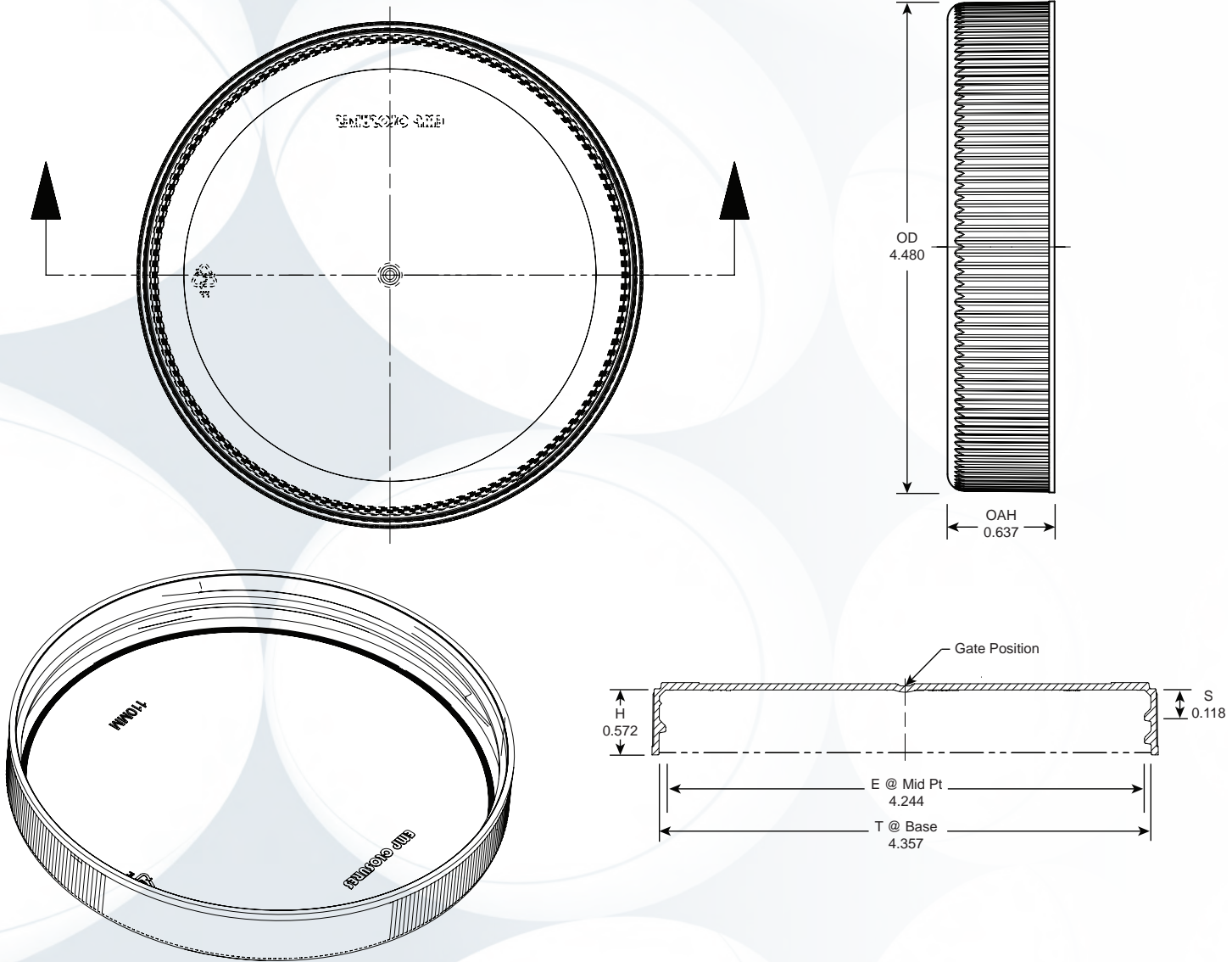


WHITE




PMS 110C

# 110-400 RB



- Country of Origin is the USA and Manufacturing location is Erie, PA
- To maintain the quality of this product, it is recommended that product should be stored in its original packaging; away from any source of local heating and humidity; away from direct sunlight; under 30°C and dry conditions. It is recommended to allow product to reach operating temperature 24 hours before use.
- Products must be used within 12 months from the production date. Stocks should be in rotation so that first delivery is used first and last delivery is used last.

Inch tolerances (unless specified) General: +/- .010 "/>	 <p>6020 West Ridge Road          Erie, Pennsylvania 16506          (814) 838-7914 Fax (814) 838-7411</p>	
Number of turns: 1.25		
Pitch (TPI): 5	110-400 RB	
Material: PP	Erie Molded Packaging, Inc.	
This drawing is the exclusive property of Erie Molded Packaging, Inc. and may not be reproduced without the expressed written consent of Erie Molded Packaging, Inc.	Date: December 07, 2016	Sheet: 01 of 01